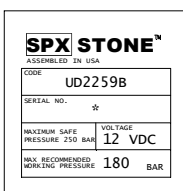
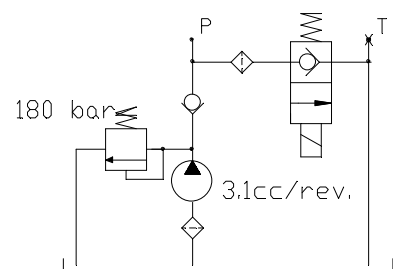


THE INFORMATION CONTAINED IN THIS DRAWING IS THE SOLE PROPERTY OF SPX FLUID POWER. ANY REPRODUCTION IN PART OR AS A WHOLE WITHOUT THE WRITTEN PERMISSION OF SPX FLUID POWER IS PROHIBITED.

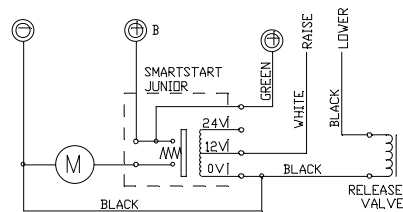
**\*\* NAMEPLATE INFORMATION \*\***



**\*\* HYDRAULIC CIRCUIT \*\***



**\*\* ELECTRIC CIRCUIT \*\***



**\*\* UNIT SPECIFICATION \*\***

MOTOR	12 VOLT DC; 1 TERMINAL
PUMP	A.F.C. 3.1 CC/REV. (.189 CU.IN./REV.)
RELIEF	ADJUSTABLE SET AT 2600 P.S.I. [180 bar]
ENDHEAD	2 PORT, "DISTRIBUTOR" WITH TANK PORT PLUGGED
TANK	PLASTIC 6.7 [170mm] SQ. USABLE CAPACITY 2.6 GAL. [9.8L]
VALVING	SOLENOID RELEASE, RELIEF & DELIVERY CHECK
WIRING	SEE ELECTRIC CIRCUIT
ASSEMBLY FINISHING	WIPE UNIT CLEAN OF OIL APPLY NAMEPLATE TO TANK APPLY LABELS AS SHOWN PLUG MOTOR DRAIN HOLES
PACKING SHIPPING	SHIP Q4-1000-00 LOOSE IN CARTON UNIT INDIVIDUALLY PACKED ONE PER CARTON CARTONS ON PALLET

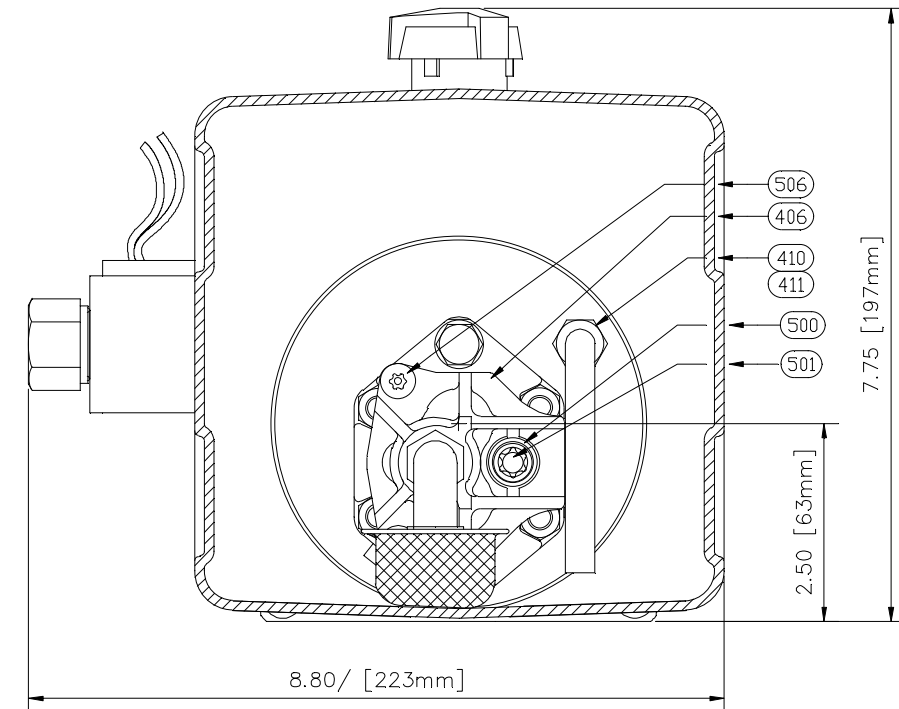
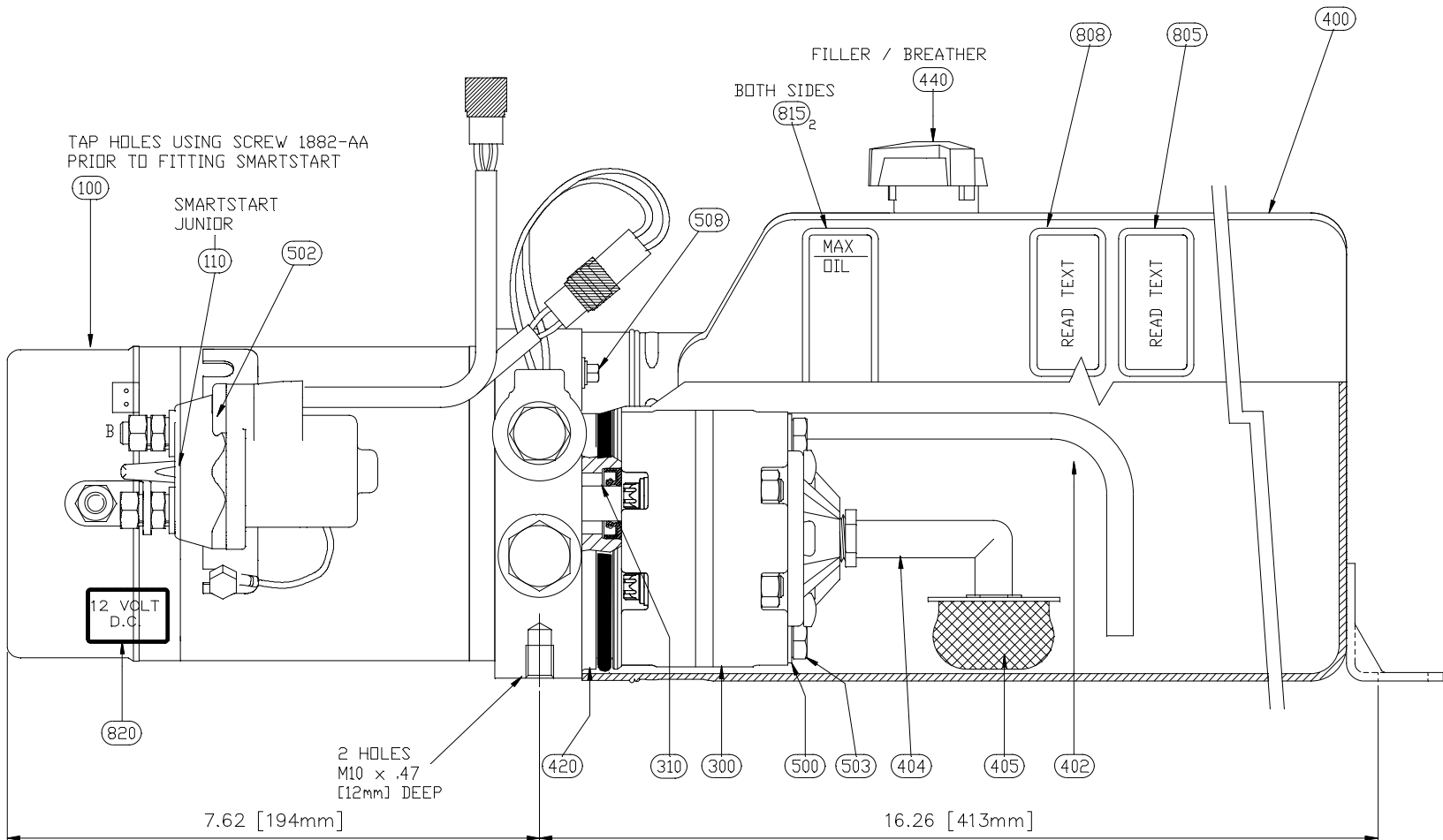
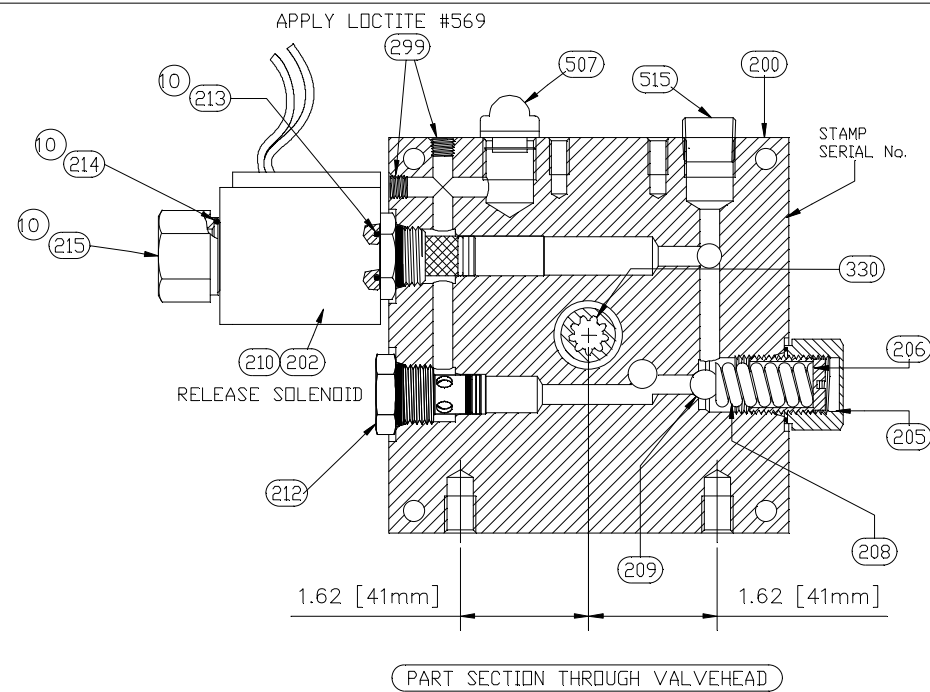
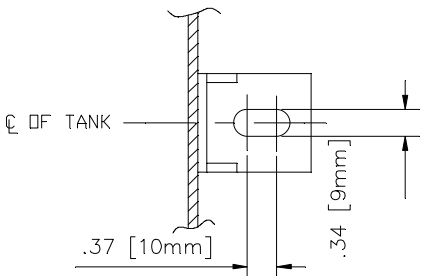
**\*\* UNIT PERFORMANCE \*\***

NOMINAL PERFORMANCE AT 11.7 VOLTS  
RELIEF SETTING (FULL FLOW) = 2600 P.S.I. [180 bar]  
FLOW AT 2050 P.S.I. = 1.5 GPM MIN. - 1.9 GPM MAX.  
[FLOW AT 140 bar = 5.8 LPM MIN. - 7.2 LPM MAX.]  
CURRENT DRAW AT 2050 P.S.I. [140 bar] = 330 AMPS MAX.

**SPX MANUFACTURING STANDARDS**

GROUNDING STRAP STANDARD	2.16.62
FASTENER TORQUES	2.11.01
LABELING	2.16.59

**WARNING**  
THIS POWER UNIT DOES NOT CONTAIN DEVICES WHICH PROTECT USERS FROM THE EFFECTS OF SUDDEN LOSS OF PRESSURE IN HYDRAULIC CYLINDERS.



DATE	ECO	DRAWN	CHK'D	LEVEL	CHANGE
22-MAY-07	07040199	KSS	NRA	10	ADDED G1-1010-15, W3-1001-00 AND 10300
29-AUG-06	060712C	SS	JH	9	ADDED STANDARD
17-NOV-05	050830D	NJS	MDP	8	REMOVED 207, UPDATED DRAWING
06-AUG-05	050718E	TWA	HLM	7	ADD: 1000122 & 1000169 REM: F6-4000-25
19-JAN-04	040119B	MDP	---	6	SEE ECO FOLDER
20-JUN-02	CN.2735	ANM	---	5	SEE ECO FOLDER
24-APR-01	CN.2606	MJ	---	4	SEE ECO FOLDER
20-JUL-00	CN2458	DAR	---	3	SEE ECO FOLDER
14-APR-00	CN2433	PC	---	2	SEE ECO FOLDER

<b>REPORT ERRORS TO ENGINEERING</b>			<b>SPX FLUID POWER</b> 5885 11th Street Rockford, IL 61109 USA
DRAWN BY	PC	02-MAR-00	
CHECKED BY			OUTLINE DC POWER PACK (11) (M21TZ 3.1 C01 P43H 180)
EXP. SERVICE PARTS LIST:	NONE		
THIRD ANGLE PROJECTION	ECO: EFF:	PART NO.	UD2259B
DO NOT SCALE DRAWING	ALL DIMENSIONS IN INCHES	DWG. NO.	UD2259B
		REV.	11
		SIZE	D

6/SEPT/07 07080627 SS TCP 11 REMOVED CHAPEL OFF PRINT.