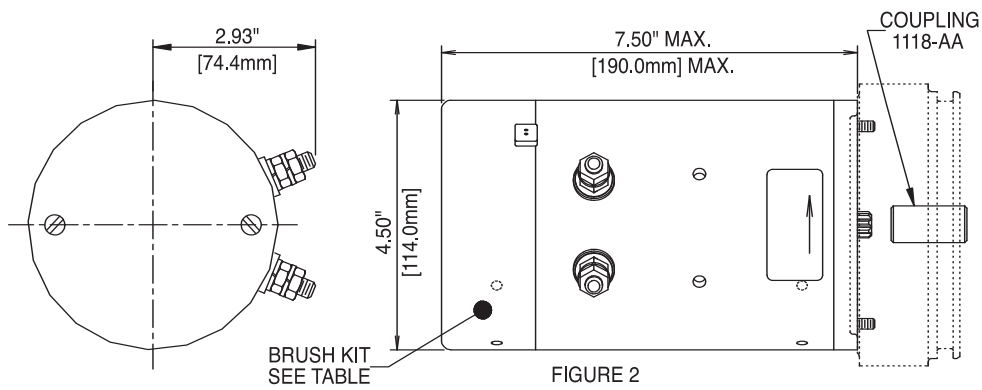
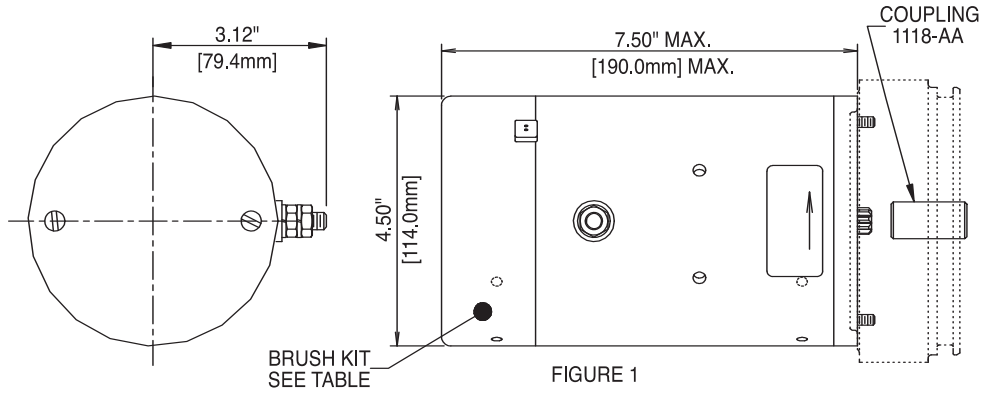


# 4.5" FIELD WOUND DC MOTORS



KIT NO.	VOLTAGE	DUTY	CONFIG.	UL RECOGNIZED	BRUSH KIT
KMD1	12V	STD	FIG. 1	NO	K-90
KMD2	12V	STD	FIG. 2	YES	K-97
KMD3	12V	EXT	FIG. 1	NO	K-91
KMD4	24V	EXT	FIG. 1	NO	K-98
KMD5	24V	STD	FIG. 2	YES	K-92
KMD6	24V	STD	FIG. 1	NO	K-92

**Note:** Stone uses a network of qualified suppliers to ensure availability. There are minor dimensional and cosmetic differences between vendor's products.