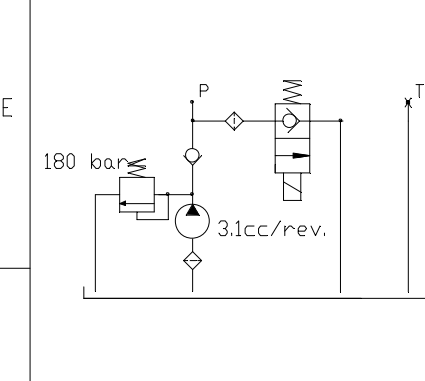


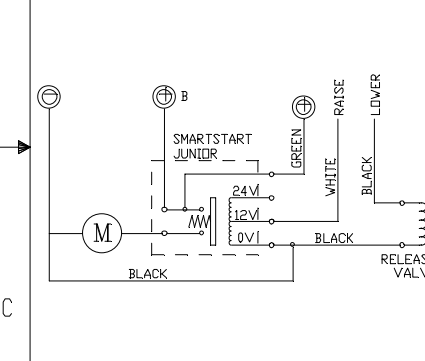
8 7 6 5 4 3 2 1

**** NAMEPLATE INFORMATION ****

**** HYDRAULIC CIRCUIT ****



**** ELECTRIC CIRCUIT ****



**** UNIT SPECIFICATION ****

MOTOR	12 VOLT DC; 2 TERMINAL; STANDARD DUTY
PUMP	A.F.C. 3.1 CC/REV. (.189 CU.IN./REV.)
RELIEF	ADJUSTABLE SET AT 2600 P.S.I. [180 bar]
ENDHEAD	N1 DISTRIBUTOR WITH TANK PORT PLUGGED
TANK	STANDARD Ø6.69 [170mm] USABLE CAPACITY .9 GALLON [3.6L]
VALVING	SOLENOID RELEASE, RELIEF AND DELIVERY CHECK
WIRING	SEE ELECTRIC CIRCUIT
ASSEMBLY FINISHING	WIPE UNIT CLEAN OF OIL APPLY NAMEPLATE TO TANK APPLY LABELS AS SHOWN PLUG MOTOR DRAIN HOLES
PACKING SHIPPING	SHIP Q4-1000-00 LOOSE IN CARTON UNIT PACKED IN BULK CARTON CARTONS ON PALLET

**** UNIT PERFORMANCE ****

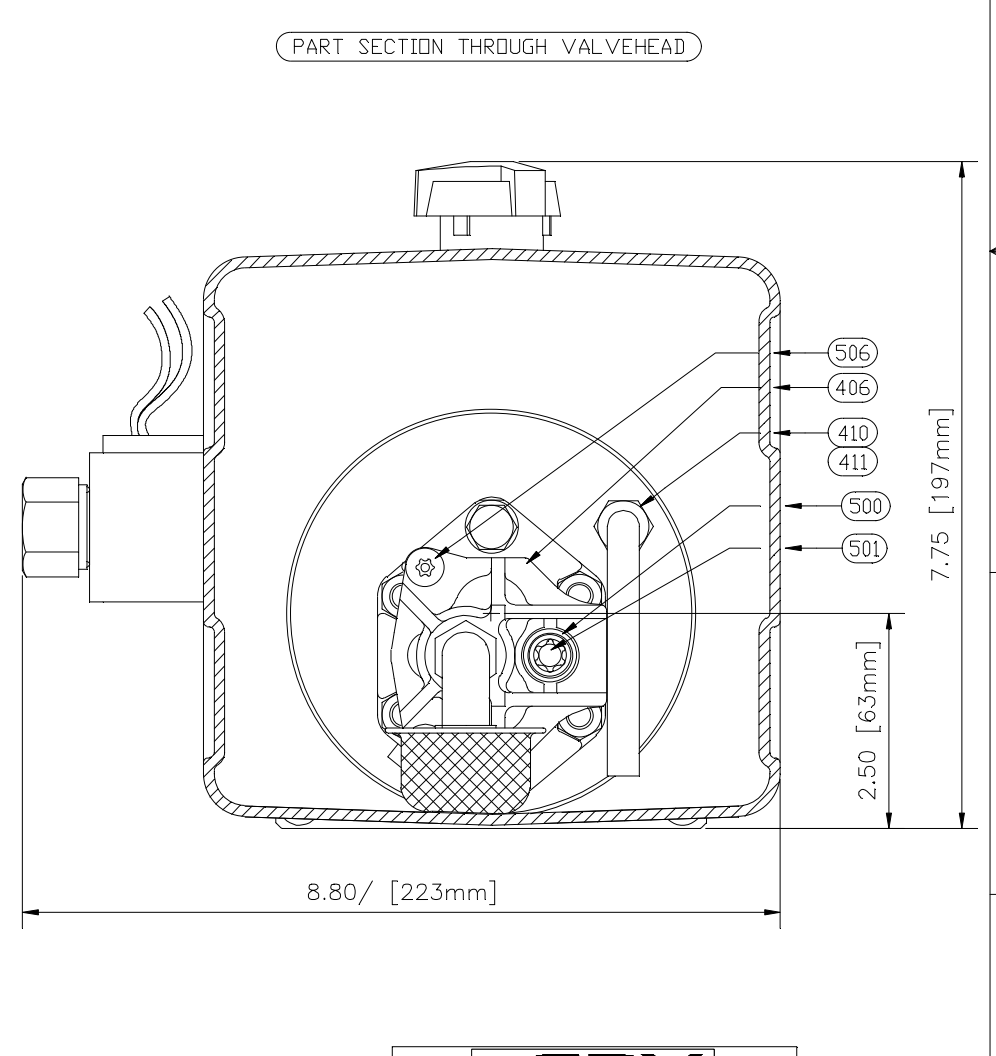
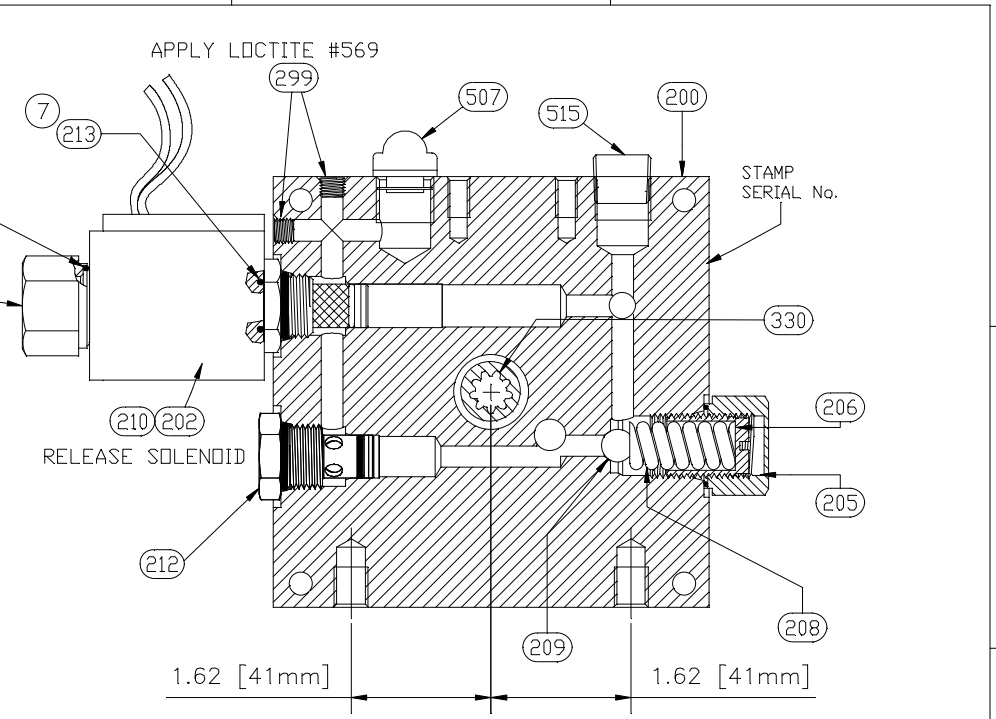
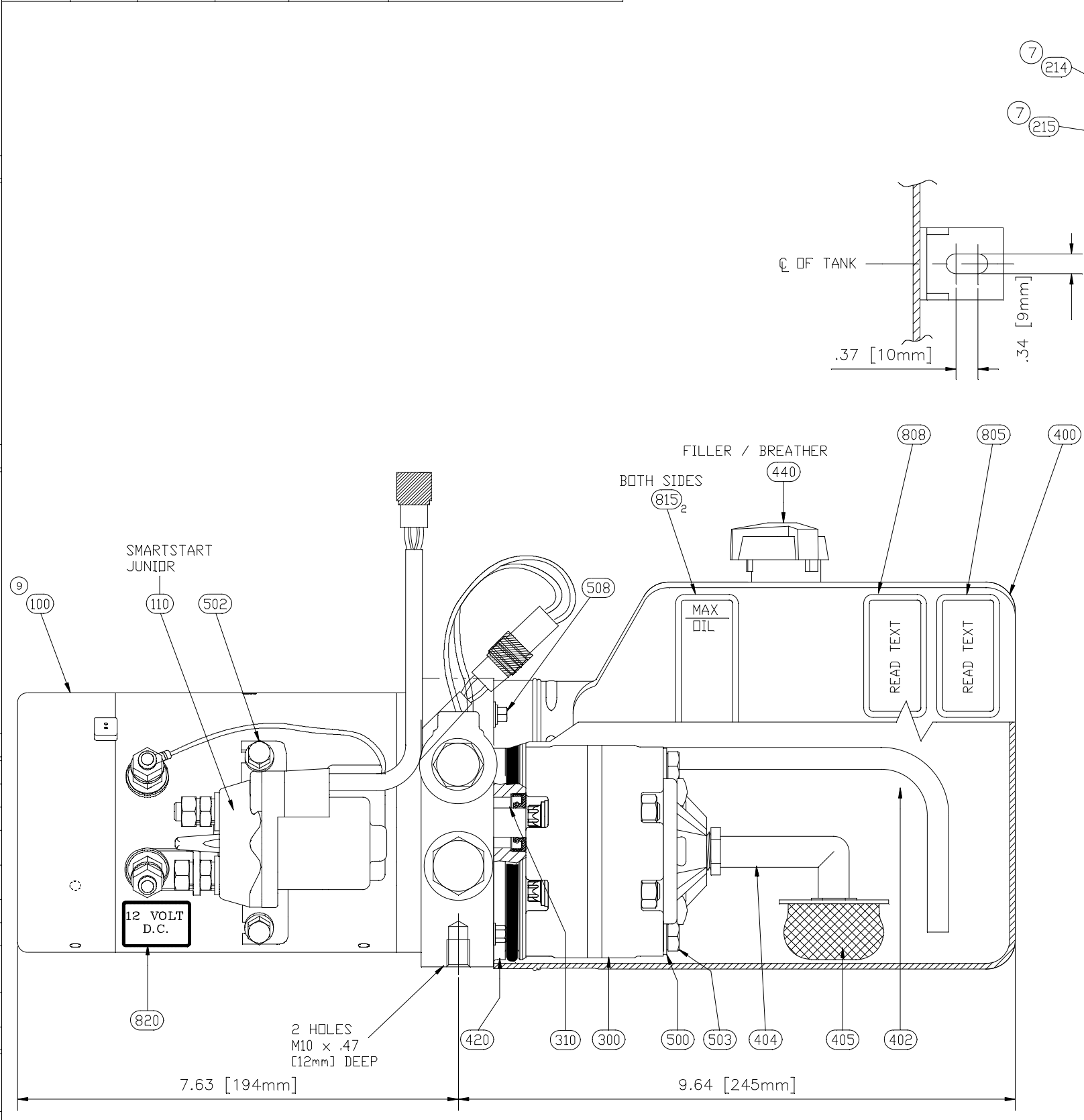
NOMINAL PERFORMANCE AT 11.7 VOLTS
RELIEF SETTING = 2600 P.S.I. [180 bar]
FLOW AT 2050 P.S.I. = 1.7 GPM
[FLOW AT 140 bar = 6.5 LPM]
CURRENT DRAW AT 2050 P.S.I. [140 bar] = 300 AMPS

SPX MANUFACTURING STANDARDS

FASTENER TORQUES LABELING	2.11.01 2.16.59
WARNING	
THIS POWER UNIT DOES NOT CONTAIN DEVICES WHICH PROTECT USERS FROM THE EFFECTS OF SUDDEN LOSS OF PRESSURE IN HYDRAULIC CYLINDERS.	

REVISIONS

REV.	BY	CHECKED	ECO	DATE	DESCRIPTION
9	KSS	JC	09072316	20-AUG-09	REMOVED MF-4114, ADDED 1788-AC. UPDATED TITLE BLOCK. UPDATED DESCRIPTION TO MATCH SYTLINE.



<p>THIRD ANGLE PROJECTION</p> <p>THE INFORMATION CONTAINED IN THIS DRAWING IS THE SOLE PROPERTY OF SPX HYDRAULIC TECHNOLOGIES. ANY REPRODUCTION IN PART OR AS A WHOLE WITHOUT WRITTEN PERMISSION OF SPX HYDRAULIC TECHNOLOGIES IS STRICTLY PROHIBITED.</p>	<p>TOLERANCES UNLESS NOTED</p> <p>ANGLES ± 1°</p> <p>1 PLACE ± .020</p> <p>2 PLACES ± .010</p> <p>3 PLACES ± .005</p> <p>4 PLACES ± .001</p> <p>FINISH 125 MAX C/B .020</p>	<p>DRAWN BY PC</p>	<p>DATE DRAWN 25-JAN-00</p>	<p>FOR PART or OPER.</p>	<p>SPX HYDRAULIC TECHNOLOGIES</p>	<p>TRACKING NUMBER</p>
		<p>CHECKED BY</p>	<p>DATE CHECKED</p>	<p>HEAT TREAT</p>		<p>DRAWING NAME P'PACK M22TZ 3.1 C01 P45H 180</p>
		<p>MATERIAL PER BOM</p>	<p>ALT. MATERIAL</p>	<p>FINISH</p>	<p>DRAWING NUMBER UD2257B</p>	<p>SHEET 1 of 1</p>

8 7 6 5 4 3 2 1